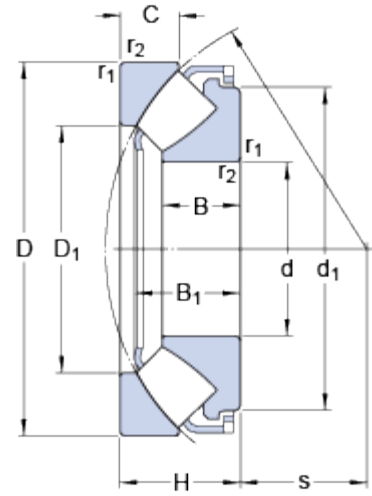


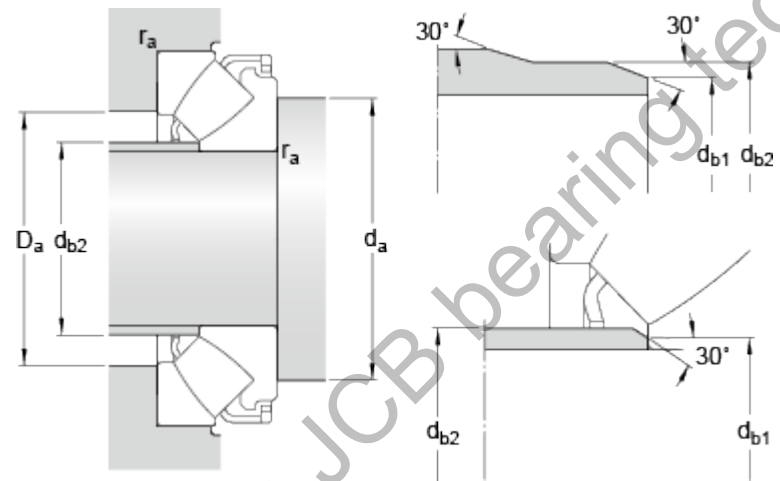
29340 E

Dimensions



d	200	mm
D	340	mm
H	85	mm
d ₁	≈ 304	mm
D ₁	≈ 257	mm
B	53.5	mm
B ₁	76.7	mm
C	40	mm
s	116	mm
r _{1,2}	min. 4	mm

Abutment dimensions



d _a	min. 265	mm
d _{b1}	max. 211	mm
d _{b2}	max. 224	mm
D _a	max. 297	mm
r _a	max. 3	mm

Calculation data

Basic dynamic load rating	C	1860	kN
Basic static load rating	C ₀	5500	kN
Fatigue load limit	P _u	550	kN
Reference speed		1000	r/min
Limiting speed		1700	r/min
Minimum axial load factor	A	2.9	

Mass

Mass bearing		28.4	kg
--------------	--	------	----